



# More Precision

IF2030 // Interface module for Industrial Ethernet connection



**PROFI**<sup>®</sup>  
**NET** EtherNet/IP<sup>®</sup>

Interface module for connection of  
Micro-Epsilon sensors to Industrial Ethernet

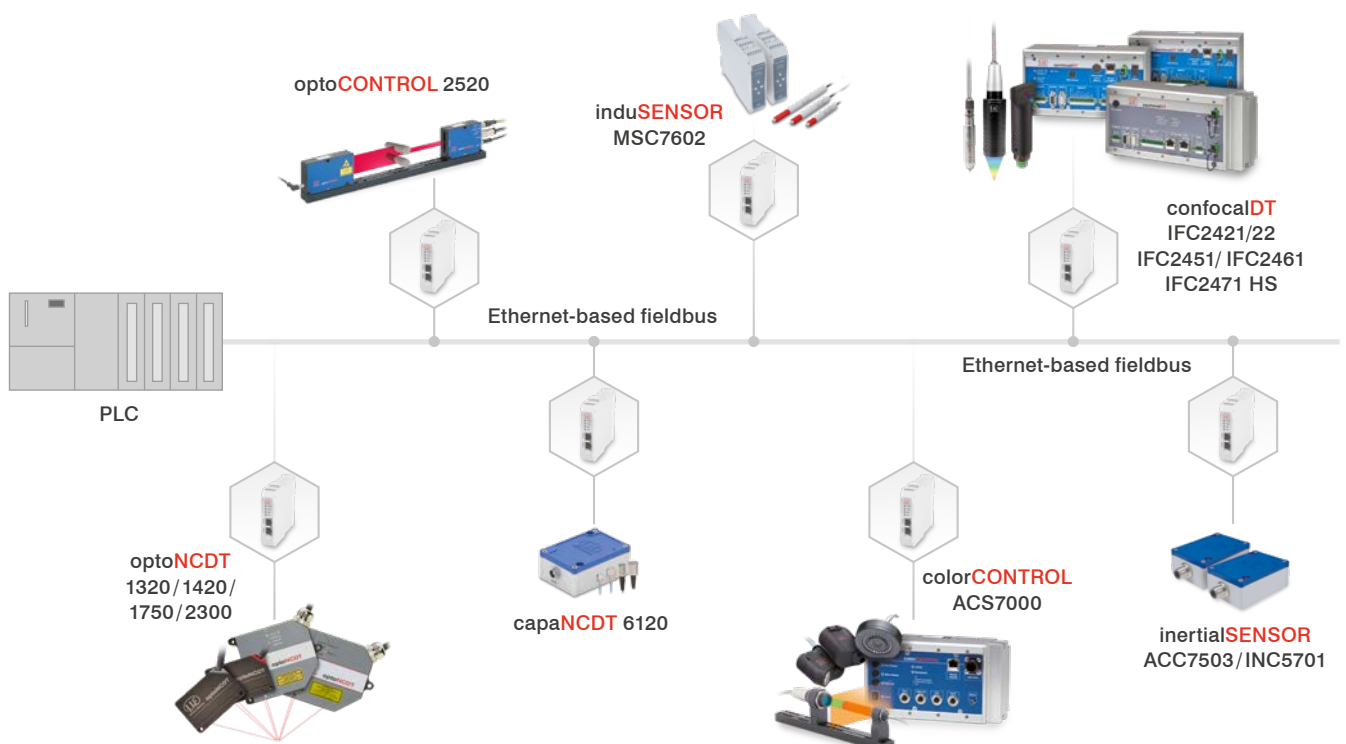
IF2030



- Available for PROFINET and EtherNet/IP
- 1-channel system
- Compatible with Micro-Epsilon sensors with RS422 and RS485 interfaces
- Synchronization output for RS422 sensors
- LED status display
- DIN rail housing

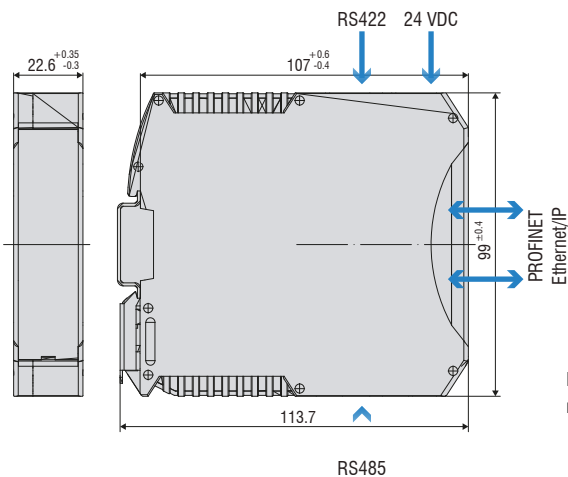
The IF2030 interface modules are designed for easy connection of Micro-Epsilon sensors to Ethernet-based fieldbuses (e.g., plant control systems). The PROFINET and Ethernet/IP modules are compatible with sensors that output data via an RS422 or RS485 interface. These modules operate on the sensor side with up to 4 MBd and have two network connections for different network topologies. Installation in switching cabinets is via a DIN rail.

The interface modules are compatible with multiple sensors:



| Model                           | IF2030/PNET   | IF2030/ENETIP                             |
|---------------------------------|---|---|
| Speed                           | PROFINET: 1 ms update time  | EtherNet/IP: 1 ms update time             |
| Supply voltage                  | 9 ... 36 VDC  |   |
| Power consumption               | approx. 2.5 W with 24 VDC (without sensor)                                      |   |
| Digital interfaces              | RS422, RS485 (with Micro-Epsilon specific data protocol)                        |   |
|                                 | Baud rate 9600 Bd ... 4 MBd   |   |
|                                 | Profinet (COM0 and COM1)  | EtherNet/IP (NS and MS)                   |
| Digital output                  | Synchronization (TTL, HTL) for RS422 sensors                                    |   |
| Connection                      | 2 x RJ45 for fieldbus, 4 screw terminals for sensor connection and power supply |   |
| Installation                    | DIN rail 35 mm  |   |
| Temperature range               | Operation   | 0 ... 50 °C                               |
|                                 | Storage   | -20 ... 70 °C                             |
| Humidity                        | 5 % ... 95 % (non-condensing)   |   |
| Protection class (DIN-EN 60529) | IP20  |   |
| Vibration (DIN-EN 60068-2-6)    | 2 g, sinusoidal excitation with 50 ... 2000 Hz, 10 cycles, 3 axes               |   |
| Shock (DIN-EN 60028-2-27)       | 5 g, 6 ms, 1000 shocks, 3 axes in 2 directions each                             |   |
| Compatibility                   | RS485   | inertialSENSOR ACC5703, INC5701           |
|                                 |   | capaNCDT 6120                             |
|                                 |   | induSENSOR MSC7401, MSC7602, MSC7802      |
|                                 | RS422   | optoNCDT 1320, 1420, 1750, 2300, 1900     |
|                                 |   | confocalDT 242x, 24x1                     |
|                                 |   | colorCONTROL ACS7000                      |
|                                 | optoCONTROL 2520  |   |
| Software integration into PLC   | GSDML file <sup>1)</sup>  | EDS file <sup>1)</sup>                    |
| Certification                   | PNIO V2.33  | CT16                                      |
| Control and Display Elements    | 4 status LEDs<br>(system, status, COM0, COM1)                                   | 4 status-LEDs<br>(system, status, NS, MS) |
| Weight                          | 120 g   |   |

<sup>1)</sup> Download on the Micro-Epsilon website



EtherNet/IP®

PROFI  
NET®

## Sensors and Systems from Micro-Epsilon



Sensors and systems for displacement, distance and position



Sensors and measurement devices for non-contact temperature measurement



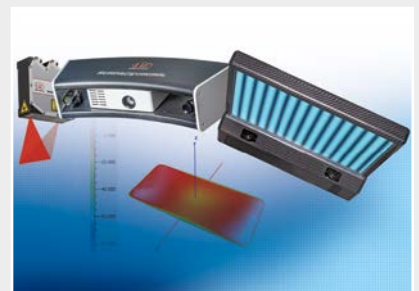
Measuring and inspection systems for metal strips, plastics and rubber



Optical micrometers and fiber optics, measuring and test amplifiers



Color recognition sensors, LED analyzers and inline color spectrometers



3D measurement technology for dimensional testing and surface inspection