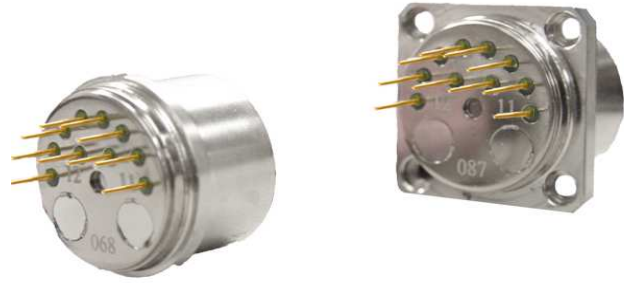


QFA-150-30G-LC Series, Low Input Current Quartz Flexure Accelerometer

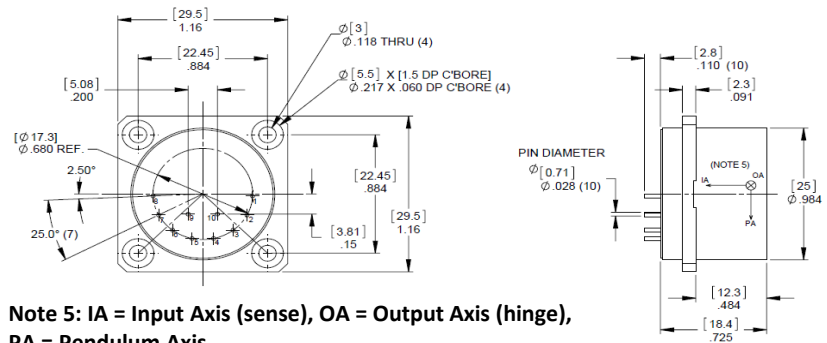


Making Sense out of Motion...

The Jewell Instruments QFA-150-30G-LC Series Accelerometers are state of the art quartz flexure technology that provides high accuracy, repeatability and stability even in the harshest of environments.



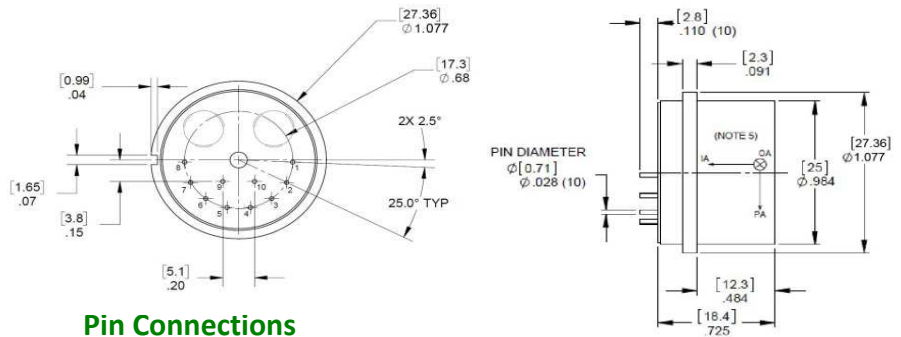
Square Flange - Outline Drawing



Features & Benefits

- Mid Range Temperature
- Excellent Repeatability
- High Accuracy
- Environmentally Rugged
- High Stability
- Square or Round Mounting Flanges
- Small Compact Design
- Built-in Self Test System

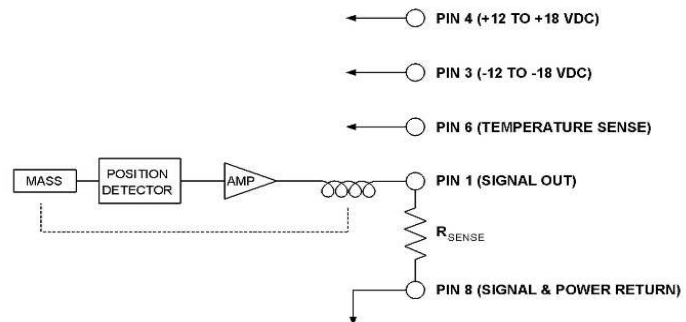
Circle Flange - Outline Drawing



Applications

- Rail Maintenance Track Geometry
- Wind Tunnel Testing
- 3D Modeling Equipment for Large Scale Geometries
- Survey Applications
- Marine Instrumentation
- Borehole Mapping

Pin Connections



Rev. 2

QFA-150-30G-LC Series, Low Input Current Quartz Flexure Accelerometer



Making Sense out of Motion...

Performance Specifications

Performance

Acceleration Range, g Max. (Note 1)	±30
Scale Factor, mA/g (Note 2)	1.1 to 1.4
Bias, milli-g, Max. (@ 25° C)	20
Axis Alignment, mRad, Max. (@ 25° C)	±1.5
Threshold and Resolution, µg, Max.	10
Bandwidth, Hz, Min.	300
Scale Factor Temp. Sens, PPM/°C, Max.:	
+25°C to +100°C	±80
+100°C to +125°C	±150
+125°C to +150°C	±200
Bias Temp. Sens, µg/°C, Max.	±100
Scale Factor Stability (1 year composite)	less than 350 ppm
Bias Stability (1 year composite)	less than 500 µg
Noise, mgrms, Max. (0Hz to 10kHz) (Max.)	3
Weight (grams)	55

Electrical

Input Voltage, Vdc	±12 to ±18
Input Current, mA	+/-13mA max @ +/-18Vdc input +/- 10mA nominal @ +/-15Vdc input +/- 8mA nominal @ +/-12Vdc input
Output Impedance, ohms	External Load Resistor Dependent

Environmental

Operational Temp Range, °C	-55°C to +150°C
Vibration, (Sine)	25 Hz to 500 Hz, 25g
Vibration, (Random) Rectification, µg/g ² rms	50 Hz to 500 Hz, 100 µg/g ² rms
Shock, g (0.5 msec, 1/2 sine)	1000

*Specifications subject to change without notice on account of continued product development

Note 1: Specifications apply and are characterized up to ±1g range. The accelerometer is capable of supplying acceleration information up to ±30g but at reduced accuracy.

Note 2: Scale factor shown in mA/g as a standard. If you require scale factor in volts/g, please specify voltage range when ordering

Note 3: Voltage output via customer supplied load resistor.

How to Order

Model #	Part #
QFA-150-30G-SQ-LC	848786-002
QFA-150-30G-RD-LC	848787-002

Accelerometers exported from the United States must be done in accordance with the Export Administration Regulations (EAR) and/or the International Traffic in Arms Regulations (ITAR) as applicable.