

Model A800P Portable Tiltmeter

Model 800P Portable Tiltmeter is an economical hand-held instrument for a wide variety of monitoring and measurement applications. It offers precision and repeatability previously unavailable in an instrument of this type. Applications include monitoring the long-term deformation of structures and foundations, measuring mechanical response to applied loads, and surveying surface level and flatness. With the Tilt Plate Option, measurements are taken from tilt plates that have been cemented or bolted to any horizontal or vertical surface. Indexing bars on the bottom and sides of the tiltmeter enable you to reposition it exactly, every time.

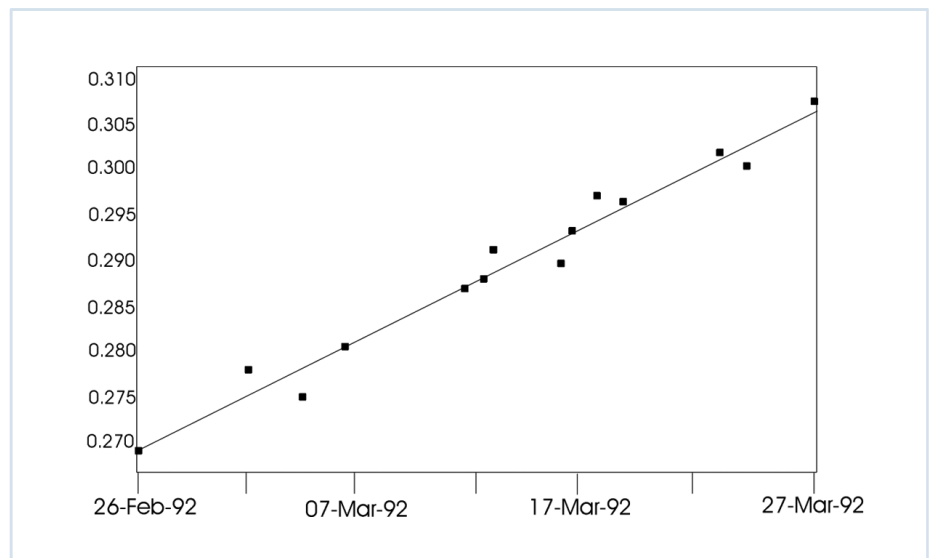


The complete 800P Portable Tiltmeter system includes the following components:

- Surface Flatness
- Model 800P Portable Tiltmeter
- Model 870 Readout Module with batteries and 1.5 meter (5 ft) cable
- 4-digit multimeter for data display
- Multimeter probes for other multimeter uses
- Padded, unbreakable carrying case

When using tilt plates, the following may be ordered for each project:

- Ceramic tilt plates (P/N 1263)
- Stainless Steel tilt plates (P/N 1273)
- Protective covers for tilt plates (P/N 84041)
- Tilt plate cement



Retaining wall tilt measured with Portable Tiltmeter Tilt Plate

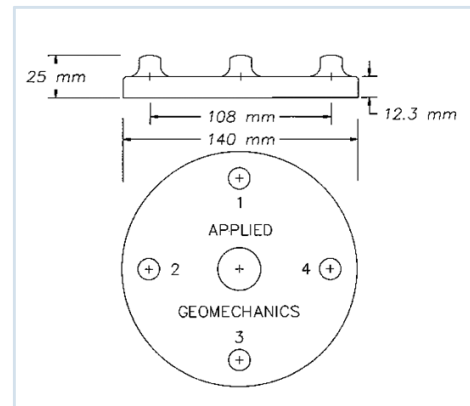
Model A800P Portable Tiltmeter

Model 800P Portable Tiltmeter	
Output Channels	Inclination, Temperature
Resolution	0.0001 arc degree (0.36 arc second)
Repeatability	$\pm 0.004^\circ$ typical
Angular Range	$\pm 5^\circ$ from null position
Non-Linearity	1% of full scale
Filtering	2-pole Butterworth low-pass filter for removing noise from vibration or jitter
Environmental	-25° to $+70^\circ$ operational, -30° to $+100^\circ$ storage. Sealed for use in damp environments; nonsubmersible.
Dimensions	143 x 102 x 127 mm (5.6 x 4 x 5 inches)
Weight	2.7 kg (6 lb)
Materials	Stainless steel; plastic sensor housing

Specifications subject to change without notice on account of continued product development



Model 800P System



Tilt Plate

Model A800P Portable Tiltmeter

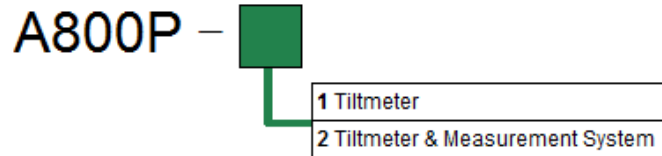
Model 800P Readout Module	
Function	Powers tiltmeter, switches tiltmeter output to digital multimeter
Resolution	Using four-digit multimeter: 0.001 arc degree (3.6 arc seconds) at tilt greater than 1 arc degree, 0.0001 arc degree (0.36 arc second) at tilt less than 1 arc degree
Power	One 9-volt battery provides up to 24 hours of continuous tiltmeter operation
Size	111 x 62 x 32 mm (4.4 x 2.4 x 1.3 inches) with 1.5 m (5 ft) cable
Weight	285 g (0.6 lb) including batteries
Materials	ABS plastic

Specifications subject to change without notice on account of continued product development



800P Readout Unit

Ordering Code:



Useful Accessories	
NO###	PVC jacketed cable, 6 mm dia. (see reverse) specify length
SO-20/6	Neoprene cable, 9 mm dia. (see reverse) specify length
SPLICE	Waterproof cable splice