

**Infrared thermometer  
for measurement of  
smallest temperature  
differences of 0.025 °C**

**Features:**

- New benchmark in low noise IR pyrometry for the measurement of smallest temperature differences of 0.025 °C
- Touches the physical limits ensuring low ambient temperature drift
- Green LED alarm indication, aiming support, self diagnostic or temperature code indication
- Scalable analog output: 0 – 5/10 V or 4 – 20 mA (two-wire); additional simultaneous alarm output
- Easy programming via smartphone app (IR mobile) or Windows software (Compact Connect)
- Stainless steel housing with compact dimensions



**General specifications**

Environmental rating	IP 65 (NEMA-4)
Ambient temperature	-20 ... 75 °C (sensing head) -20 ... 80 °C (electronics) -20 ... 75 °C (electronics / mA version) <sup>1)</sup>
Storage temperature	-40 ... 85 °C
Relative humidity	10 – 95 %, non condensing
Vibration	IEC 60068-2-6 / -64
Shock	IEC 60068-2-27 (25 G and 50 G)
Weight	200 g

**Electrical specifications**

Output / analog	0 – 5 or 10 V or 4 – 20 mA
Output / alarm	0 – 30 V / 50 mA (open collector) (mA version: 500 mA)
Output / digital	Uni-/ bidirectional, 9.6 kBaud, 0/3 V digital level, USB (optional)
LED functions	Alarm indication, automatic aiming support, self diagnostic, temperature indication (via temp. code)
Input (0 – 10 V)	Programmable functional input for external emissivity setting <sup>2)</sup> / ambient temperature adjustment <sup>2)</sup> , triggered signal output or peak-hold function
Cable length head – electronics: after electronics:	0.5 m (standard) 0.5 m (standard), 3 m, 6 m
Power supply	5–30 V DC
Current draw	9 mA (mV version)

**Measurement specifications**

Temperature range	-20 ... 150 °C
Spectral range	8 – 14 µm
Optical resolution (90 % energy)	15:1
CF optics (optional)	3.4 mm @ 50 mm
System accuracy	±1.0 % or ±1.0 °C <sup>3), 4)</sup>
Repeatability	±0.3 % or ±0.3 °C <sup>3), 4)</sup>
Temperature coefficient	±0.05 K/K or ±0.05 % K <sup>5)</sup>
NETD	0.025 K <sup>6)</sup>
Response time	150 ms
Emissivity / gain (adjustable via software)	0.100 – 1.100
Transmissivity (adjustable via software)	0.100 – 1.100
Signal processing (parameter adjustable only via optional software)	Peak hold, valley hold, average; extended hold function with threshold and hysteresis
Dimensions of electronics	Length: 35 mm Diameter: 12 mm
Software	optris® Compact Connect (Windows) IR mobile (Android)

<sup>1)</sup> mA version: For Vcc (supply voltage) 5 – 12 V DC/ the electronic's max. ambient temperature is 65 °C at Vcc >12 V DC

<sup>2)</sup> mV version only

<sup>3)</sup> Object temperature >20 °C; whichever is greater

<sup>4)</sup> At ambient temperature 23 ±5 °C

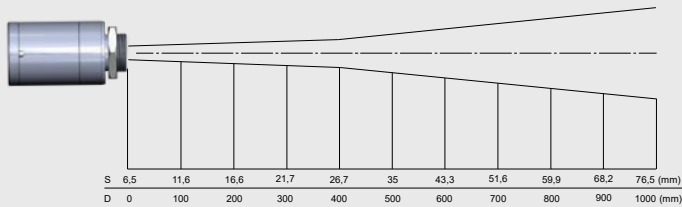
<sup>5)</sup> At ambient temperatures <18 °C and >28 °C; whichever is greater

<sup>6)</sup> At time constant of 150 ms and T<sub>obj</sub> 20 °C

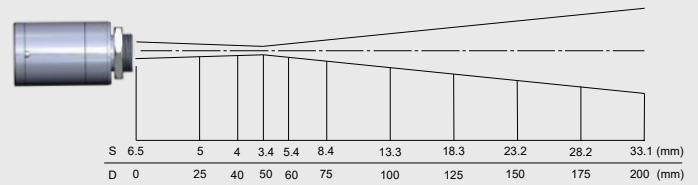
# optris<sup>®</sup> CSmicro LT HS

## Optical parameters

SF optics, D:S = 15:1

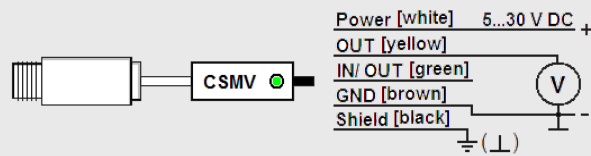


Integrated CF optics, D:S = 15:1 (far field = 5:1)

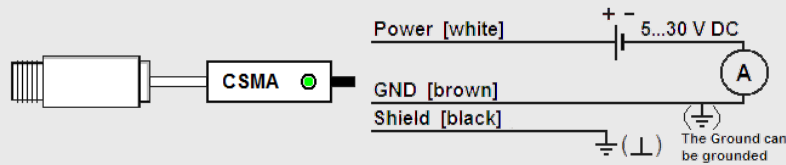


## Connections

Connection mV version



Connection mA version

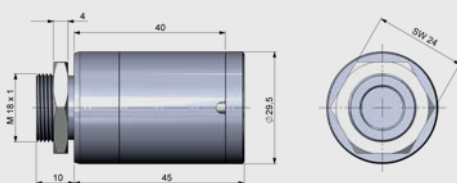


The CSmicro can be connected to a smartphone via the IR app connector

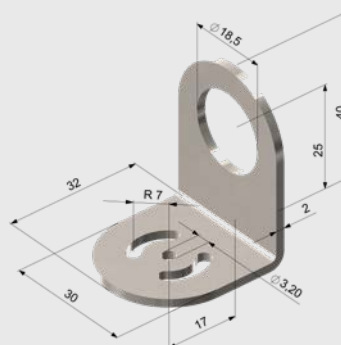


## Dimensions

Dimensions CSmicro LT HS



Mounting bracket, fixed (ACCTFBMH)



Air purge with integrated CFoptics (ACCTAPMH)

