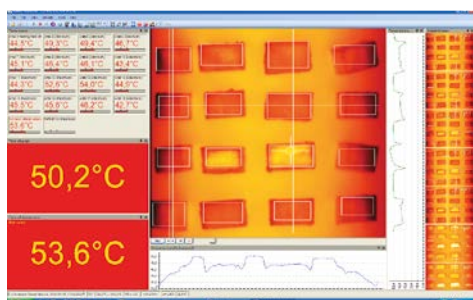
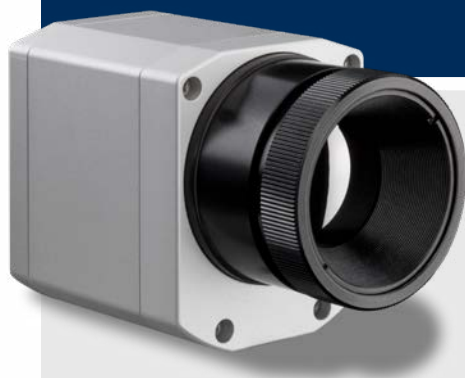


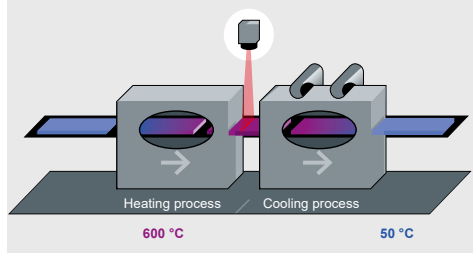
## High-resolution thermal imaging solution for the glass industry

### Features:

- Line scan function through license-free analysis software optris® PIX Connect
- Compact in size: 46 mm x 56 mm x 90 mm
- Frame rate of up to 125 Hz
- Max. scan angle of 111° with 800 pixels per line



Infrared camera with line scan mode



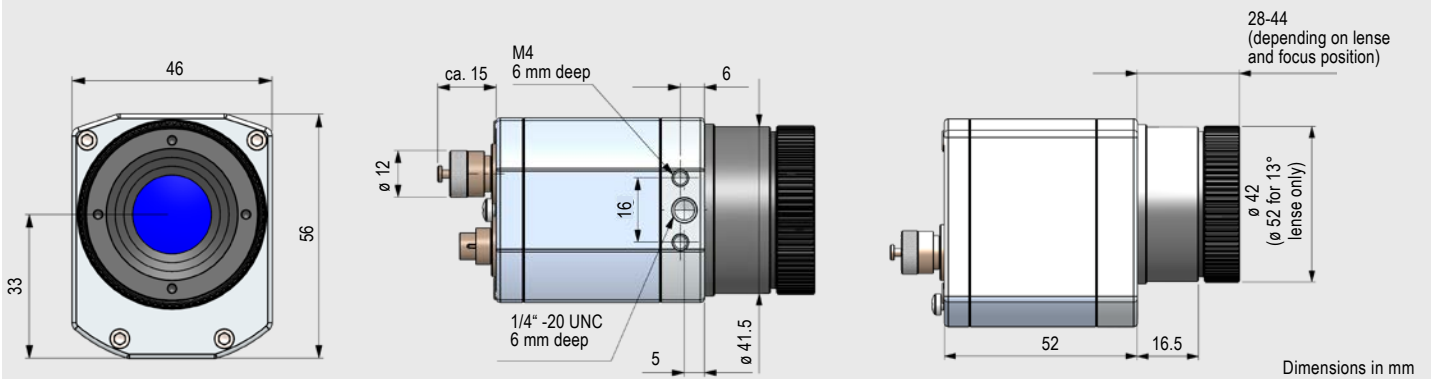
For further information on non-contact temperature measurement in the glass industry, please visit [www.optris.com/temperature-measurement-glass-industry](http://www.optris.com/temperature-measurement-glass-industry)

### Technical specifications

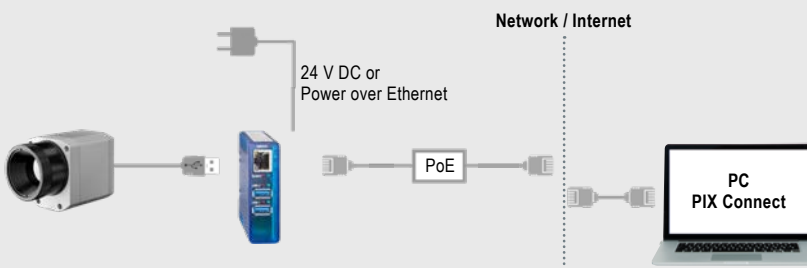
Optical resolution	640 x 480 pixels
Detector	FPA, uncooled (17 µm x 17 µm)
Spectral range	7.9 µm
Measurement range	200 ... 1500 °C
Sighting range	0 ... 250 °C
Frame rate	32 Hz / 125 Hz @ 640 x 120 pixels
Optics (FOV)	15° x 11° (f = 41.5 mm) 33° x 25° (f = 18.7 mm) 60° x 45° (f = 10.5 mm) 90° x 64° (f = 7.7 mm) max. FOV: 111° / 800 pixels (diagonal scan line / 90° lens)
Thermal sensitivity (NETD) at T <sub>Obj</sub> = 650 °C	130 mK
Accuracy	±2 °C or ±2 %, whichever is greater
PC interface	USB 2.0 / optional USB to GigE (PoE) interface
Process interface (PIF), standard	0 – 10 V input, digital input (max. 24 V), 0 – 10 V output
Process interface (PIF), industrial	2x 0 – 10 V input, digital input (max. 24 V), 3x 0 – 10 V output, 3x relay (0–30 V/ 400 mA), fail-safe relay
Cable length (USB)	1 m (standard), 5 m, 10 m, 20 m 5 m and 10 m also as high temperature USB cable (180 or 250 °C)
Ambient temperature	0 ... 50 °C
Storage temperature	–40 ... 70 °C
Relative humidity	20 – 80 %, non-condensing
Enclosure (size / rating)	46 mm x 56 mm x 90 mm / IP 67 (NEMA 4)
Weight	320 g, incl. lens
Shock / Vibration <sup>1)</sup>	IEC 60068-2
Tripod mount	¼ – 20 UNC
Power supply	via USB
Scope of supply (standard)	<ul style="list-style-type: none"> <li>• USB camera with 1 lens</li> <li>• USB cable (1 m)</li> <li>• Table tripod</li> <li>• PIF cable (1 m) incl. terminal block</li> <li>• Software package optris® PIX Connect</li> <li>• Rugged outdoor case</li> </ul>

<sup>1)</sup> For more details see operator's manual

## Dimensions



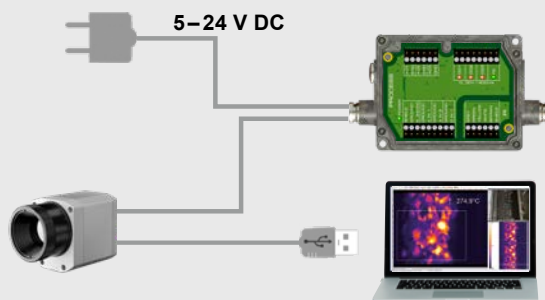
## Process integration



### optris® USB Server Gigabit 2.0

- Network connection via Gigabit Ethernet
- Full TCP/IP support incl. routing and DNS
- Two independent USB ports
- Power over PoE or external voltage supply at 24 - 48 V DC
- Galvanic isolation 500 V<sub>RMS</sub>
- Remotely configurable via web based management

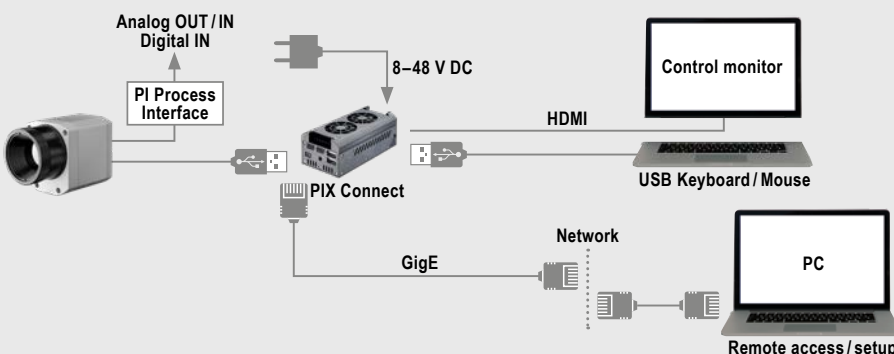
For further information please visit [www.optris.global/usb-server-gigabit](http://www.optris.global/usb-server-gigabit)



### optris® Industrial process interface

- Use of camera for process monitoring in industrial environments
- Continuous fail safe monitoring of imager, software and cable connections
- 3 analog / alarm outputs, 2 analog inputs, 1 digital input, 3 alarm relay, 1 fail-safe relay

For further information please visit [www.optris.global/neu-industrial-process-interface](http://www.optris.global/neu-industrial-process-interface)



### optris® PI NetBox

- Miniature PC as add-on to the PI series for stand-alone system
- Integrated hardware and software watchdog
- Connections: 2x USB 2.0, 1x USB 3.0, 1x Mini-USB 2.0, Micro-HDMI, Ethernet (Gigabit Ethernet), micro SDHC / SDXC card

For further information please visit [www.optris.global/pi-netbox](http://www.optris.global/pi-netbox)