

# More Precision.



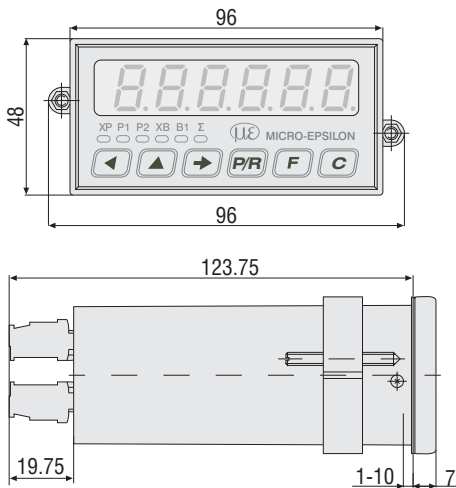
## DD214NA - Unit displays for SSI-sensors

- Scaling factor adjustable (0,000001...1,000)
- Start value adjustable, 6-digit
- Connection for SSI-Absolute Encoder (Binary or Gray code)

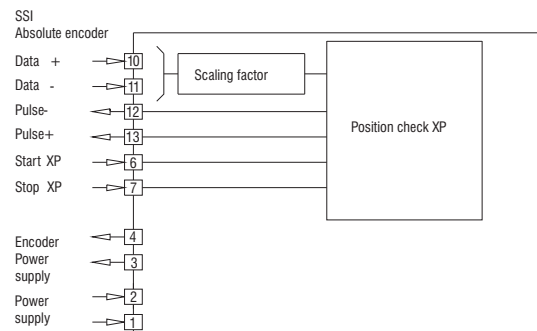
The display DD214NA is designed for the evaluation of two signals of a SSI absolute encoder. The real position of the measuring object is been detected without power even. The display is ideal for manual position control, e. g. a fence or a workpiece. The resolution of the shown values can be easily programmed.



### Dimensions (Dimensions in mm, not to scale.)



### Block circuit diagram



Technical data - electrical ratings	
Supply voltage	24 VDC $\pm$ 10 %, 5 % RW
Power consumption	7 VA, 5 W
Sensor supply	12...26 VDC / max. 100 mA
Display	7-segment LED-display
Number of digits	6-digit
Digit height	14 mm
Function	Display of real values; decimal point can be programmed; suppression of leading zero; negative values
Counting frequency	3 Hz, 25 Hz, 10 kHz programmable
Operating mode	Step preset, main preset, parallel comparison, selfadjusting preset
Data storage	> 10 years (via EEPROM)
Standard DIN EN 61010-1	Protection class II; overvoltage category II; pollution degree 2
Emitted interference	DIN EN 61000-6-3
Interference immunity	DIN EN 61000-6-2
Approvals	UL/cUL, CE conform

Technical data - mechanical design	
Temperature	Operating: -10...+50 °C; Storing: -20...+70 °C
Relative humidity	80 %, non-condensing
E-connection	Plug-in screw terminals
Core cross-section	1.5 mm <sup>2</sup>
Protection DIN EN 60529	IP 65 front
Operation / keypad	Membrane with softkeys
Housing type	Housing for control panel installation
Front dimensions	DIN housing 96 x 48 mm
Installation depth	123.75 mm
Mounting	Front panel installation
Fastening	By means of clamping frame
Connection	Plug-in screw terminals, grid 5.08 mm
Weight	approx. 350 g (AC), 250 g (DC)
Housing material	Polycarbonate black, UL 94V-0